

## 10Ah 12C 3.3V LiFe

**Nominal Capacity:** 10Ah

**Nominal Voltage:** 3.3V

**Impedance at 1Khz(mΩ):** 1.53

**Charge:** Max 20A(2C), Voltage 3.6V

**Discharge:** Continuous 120A( 12C) Burst 200A(20C) Voltage 2.0V

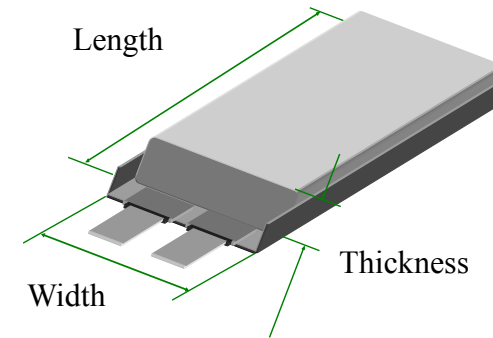
**Cycle Life:** 1C/1C Over 2000cycle

**Dimension:** Thickness 6.5mm, Width 120mm, Length 155mm

Thickness 10.7mm, Width 75mm, Length 155mm

Thickness 10.3mm, Width 67mm, Length 180mm

**Weight:** Max 241.0g



**Charge :** CC-CV 1C 3.6V 0.1C Cut off  
**Discharge:** CC 6C/8C/10C/12C 2.0V Cut off @R.T.

